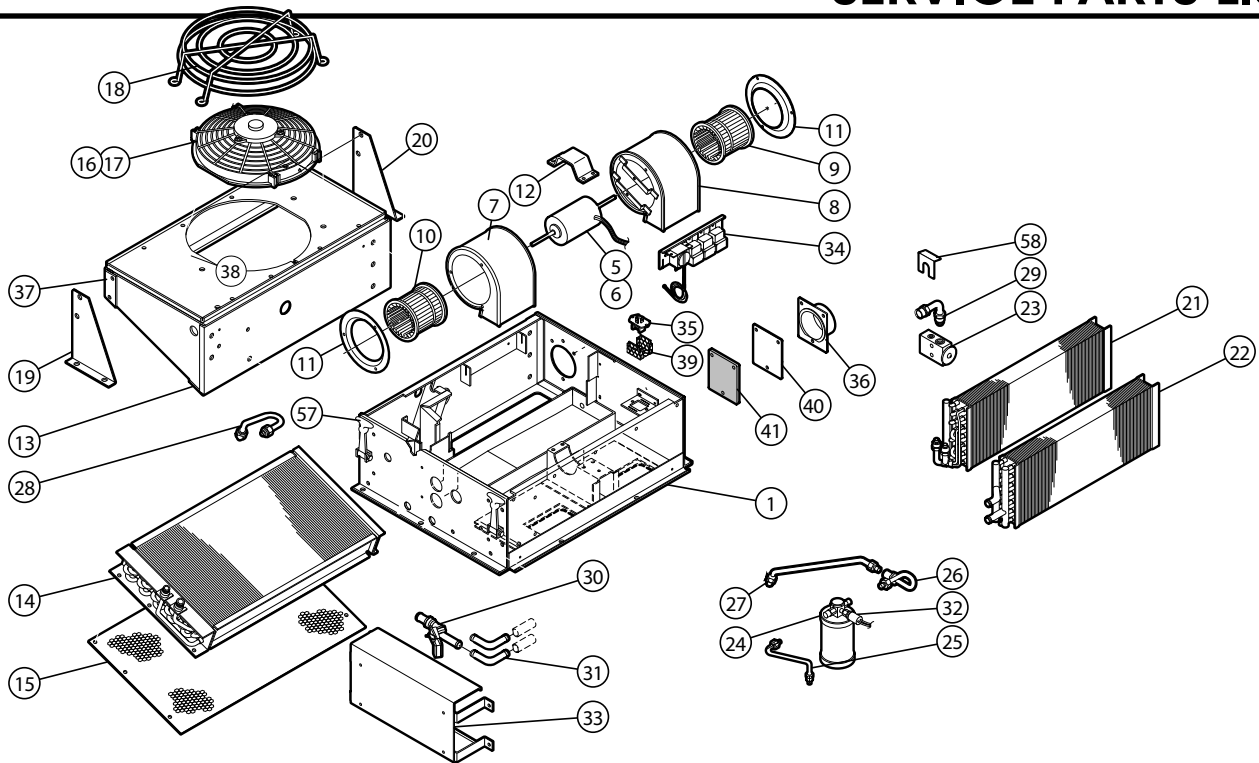


Rooftop Heater-Air Conditioner Model R-9757

SERVICE PARTS LIST



| ITEM | NOTE | PART NO. | DESCRIPTION | CAT. NO. |
|------|------|----------------|---------------------------------|----------|
| 1 | | RD-3-9093-0P | Housing Assembly | |
| 2 | A | RD-3-9210-0P | Cover Assembly | |
| 3 | B | RD-3-7383-0P | Blower/Motor Assembly (12V) | |
| 4 | B | RD-3-7383-1P | Blower/Motor Assembly (24V) | |
| 5 | | RD-5-14189-0P | Motor (12V) | |
| 6 | | RD-5-14189-24P | Motor (24V) | |
| 7 | | RD-3-7382-0P | Blower Housing-Left | |
| 8 | | RD-3-7382-1P | Blower Housing-Right | |
| 9 | | RD-5-8092-0P | Blower Wheel-CW | 73R7200 |
| 10 | | RD-5-8092-1P | Blower Wheel-CCW | 73R7210 |
| 11 | | RD-3-7376-0P | Entry Ring (2) | |
| 12 | | RD-3-3174-0P | Retainer-Motor | |
| 13 | | RD-4-5444-0P | Condenser Housing Assembly | |
| 14 | | RD-4-4724-0P | Condenser Assembly | 77R0660 |
| 15 | | RD-4-4694-0P | Condenser Screen | |
| 16 | C | RD-5-13259-4P | Fan/Motor Assembly-12VDC | |
| 17 | C | RD-5-13259-5P | Fan/Motor Assembly-24VDC | |
| 18 | | RD-4-4520-4P | Side Bar Support-Left | |
| 19 | | RD-4-4520-5P | Side Bar Support-Right | |
| 20 | | RD-2-2791-0P | Evaporator Assembly | 76R6015 |
| 21 | | RD-1-1379-0P | Heater Core Assembly | 76R1860 |
| 22 | | RD-5-6868-0P | Expansion Valve | 71R8301 |
| 23 | | RD-5-7272-0P | Receiver Drier Assembly | 74R2546 |
| 24 | | RD-3-9099-0P | Tube Assembly-No. 6, Drier | |
| 25 | | RD-3-9096-1P | Tube Assembly-No. 6 | |
| 26 | | RD-3-9097-0P | Tube Assembly-No. 6 | |
| 27 | | RD-3-9101-1P | Tube Assembly-No. 8 | |
| 28 | | RD-2-2156-0P | Refrig Tube Assembly #10 O-Ring | |
| 29 | | RD-5-7760-1P | Water Valve Assembly | 72R5220 |

| ITEM | NOTE | PART NO. | DESCRIPTION | CAT. NO. |
|------|------|---------------|------------------------------|----------|
| 30 | | RD-4366-0P | Coolant Tube 5/8" Elbow (2) | 70R7150 |
| 31 | | RD-5-8433-0P | Switch, Binary Pressure | 71R7075 |
| 32 | | RD-3-9212-0P | Plumbing Cover Assembly | |
| 33 | | RD-3-6624-0P | Electrical Panel Assembly | |
| 34 | | RD-5-3647-0P | Resistor | 71R1450 |
| 35 | | RD-3-4812-2P | Plate-Ring Assembly | 72R4531 |
| 36 | | RD-4-5445-2P | Condenser Support Assembly | |
| 37 | | RD-4-7209-0P | Condenser Plate Assembly | |
| 38 | | RD-3-8113-0M | Resistor Guard | |
| 39 | | RD-3-4814-3P | Plate-Fresh Air | |
| 40 | | RD-3-6960-0P | Gasket -Fresh Air Plate | |
| 41 | A | RD-5-4531-24P | Thermostat (part of #34) | 71R3200 |
| 42 | A | RD-5-6690-0P | Relay 12V | 71R1902 |
| 43 | A | RD-5-6917-2P | Converter Control | 72R9005 |
| 44 | A | RD-5-5928-0P | Control Knob | 71R4040 |
| 45 | A | RD-3-6475-0P | Plastic Plenum | |
| 46 | A | RD-4123-2P | Switch-Mode (on-off-on) | 71R0200 |
| 47 | A | RD-5-0071-0P | Switch-Fan (on-on-on) | 71R0400 |
| 48 | A | RD-5-7192-0P | Circuit Breaker-35AMP (12V) | 71R1330 |
| 49 | A | RD-5-6714-0P | Circuit Breaker-20AMP (24V) | 71R1315 |
| 50 | A | RD-5-4805-0P | Louver-4.5" Diameter | |
| 51 | A | RD-3-6408-0P | Filter-Recirculating Air | 78R5370 |
| 52 | A | RD-5-6693-0P | Relay (24V) | 71R1904 |
| 53 | A | RD-3-9095-0P | Wire Harness Assembly-Unit | |
| 54 | A | RD-3-9095-1P | Wire Harness Assembly-Unit | |
| 55 | A | RD-3-6613-0P | Wire Harness Assembly-Plenum | |
| 56 | | RD-5-8086-0P | Retainer Assembly | |
| 57 | | RD-3-6615-2P | Bracket-Fitting Assembly | |

NOTES: **A**= Not shown **B**=Includes motor, blower assemblies, blower wheels and entry rings **C**=12" diameter

RED DOT CORPORATION

P.O.Box 58270 Seattle, WA 98138 (206) 575-3840 AMCustomerService@RedDotCorp.com

RD-3-9105-0 (REV D)

FOR REFERENCE ONLY. SUBJECT TO CHANGE WITHOUT NOTICE